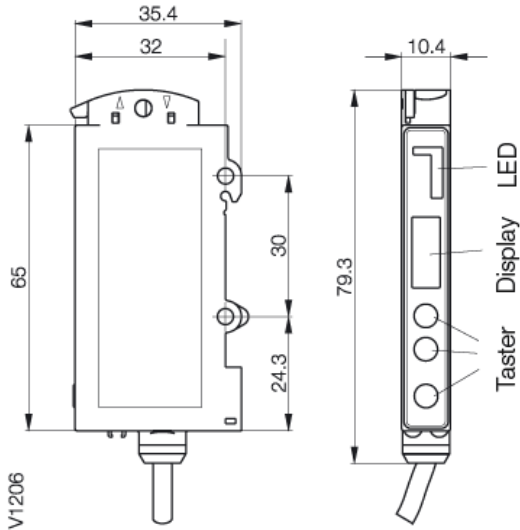


Photoelectric Sensor
BFB 75K-003-P-02
Sn=mm
Basic Unit for Fibre optic



Common Data

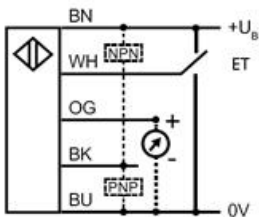
Series	75K
Sensortype	Basic Unit for Fibre optic
Switching frequency	1000 Hz
asured operating distance Sa	belonging to Fibre optic
Repeat accuracy	belonging to Fibre optic
Hysteresis	< 10%
Indication Supply Voltage	yes, green LED
Indication Switching element on	yes, yellow LED
Indication Special funktion	Display
Ambient temperature	-20...+60°C
Light	Red light
Wavelength / Laser protection class	660nm, pulsed
Sensitivity Adjustment	Teach in
Blind zone / min Reflector distance	belonging to Fibre optic
Special funktion	Stabilization indicator/Time
function, Analog output 0...10V	
Output funktion	analog/light-on or dark-on

Mechanical Data

Measurements	10x35x79
Housing material	ABS
Degree of protection	IP64
Connection	Cable
Weigth	50g

Electrical Data

Current	DC
Switching funktion	NO/NC
Output	PNP
Rated operational voltage Ue	24V
Rated operational current Ie	100mA
Supply Voltage	10...30V DC
No-load supply current	≤ 25mA
Short protection	yes
Protected against polarity reversal	yes



Utilization categories
 Insulation class

II

Datasheet number:

Definitions see general catalog.
 If not otherwise noted, ratings according to
 IEC 60947-5-2 (DIN EN60947-5-2)

Balluff GmbH
 Schurwaldstrasse 9
 73765 Neuhausen a.d.F.
 Phone (07158) 173-0 Fax (07158) 5010

Datenblatt by CD-ROM - 04/2007

BALLUFF
 sensors worldwide